



## Case Study

# SunGiga

1MW/2.15MWh 锂电储能系统项目——刚果(金)马科罗微电网

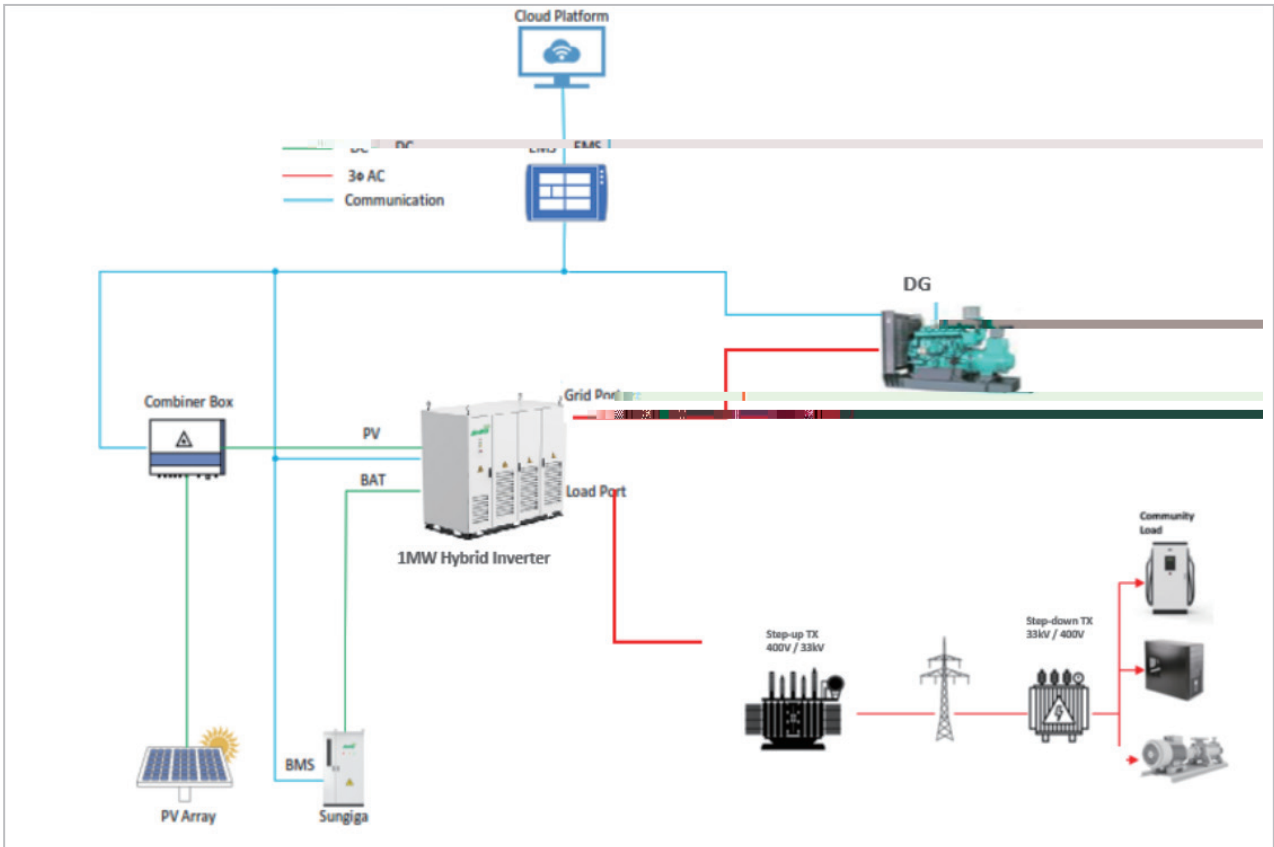
Storage System

DC-coupled Energy

DG

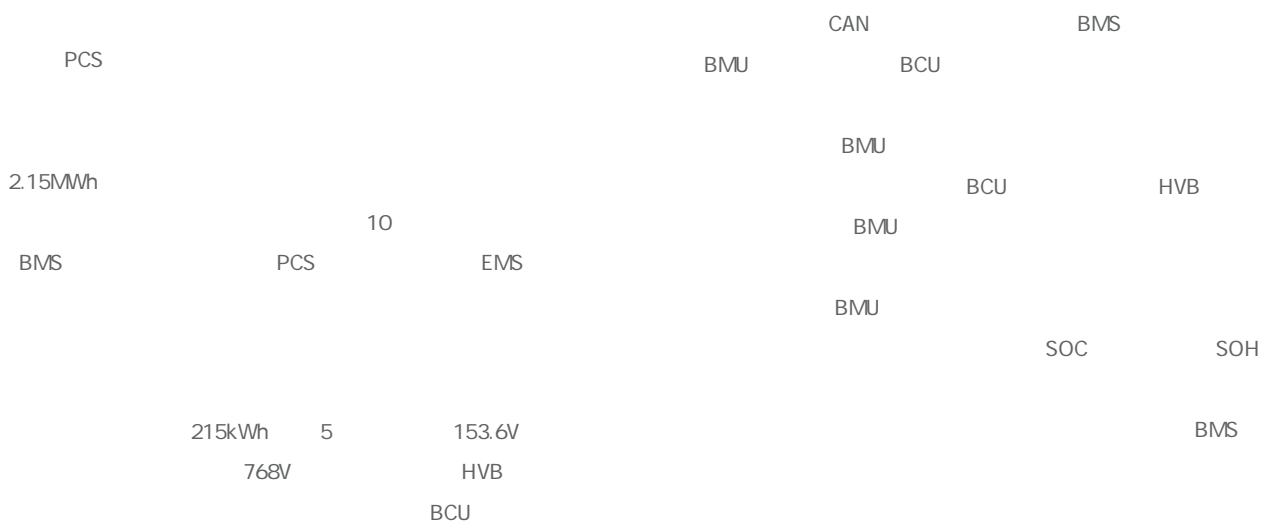
1MWp  
ESS

1MW/2.15MWh

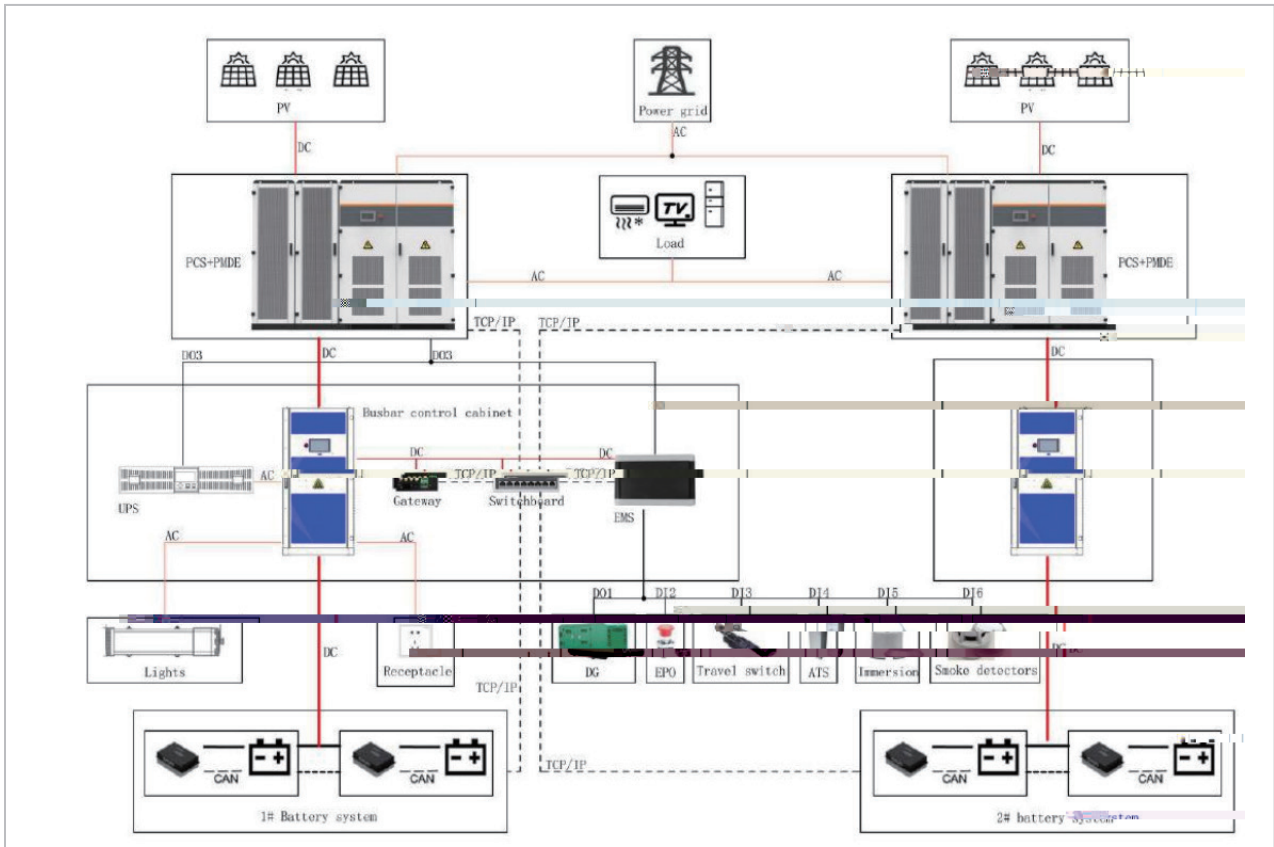


1.

### BMS



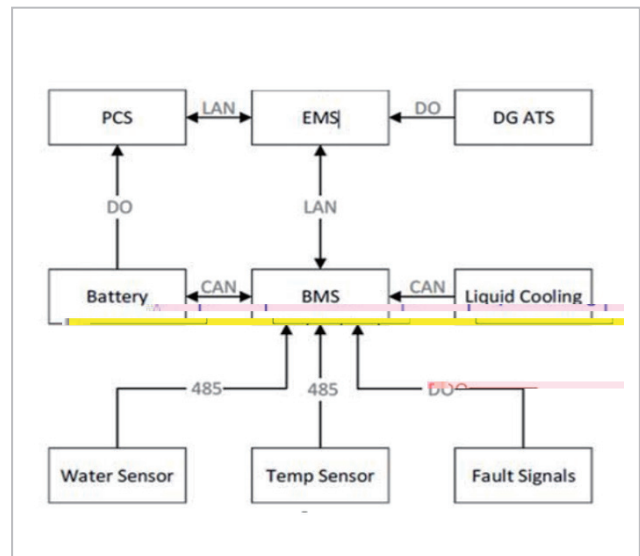




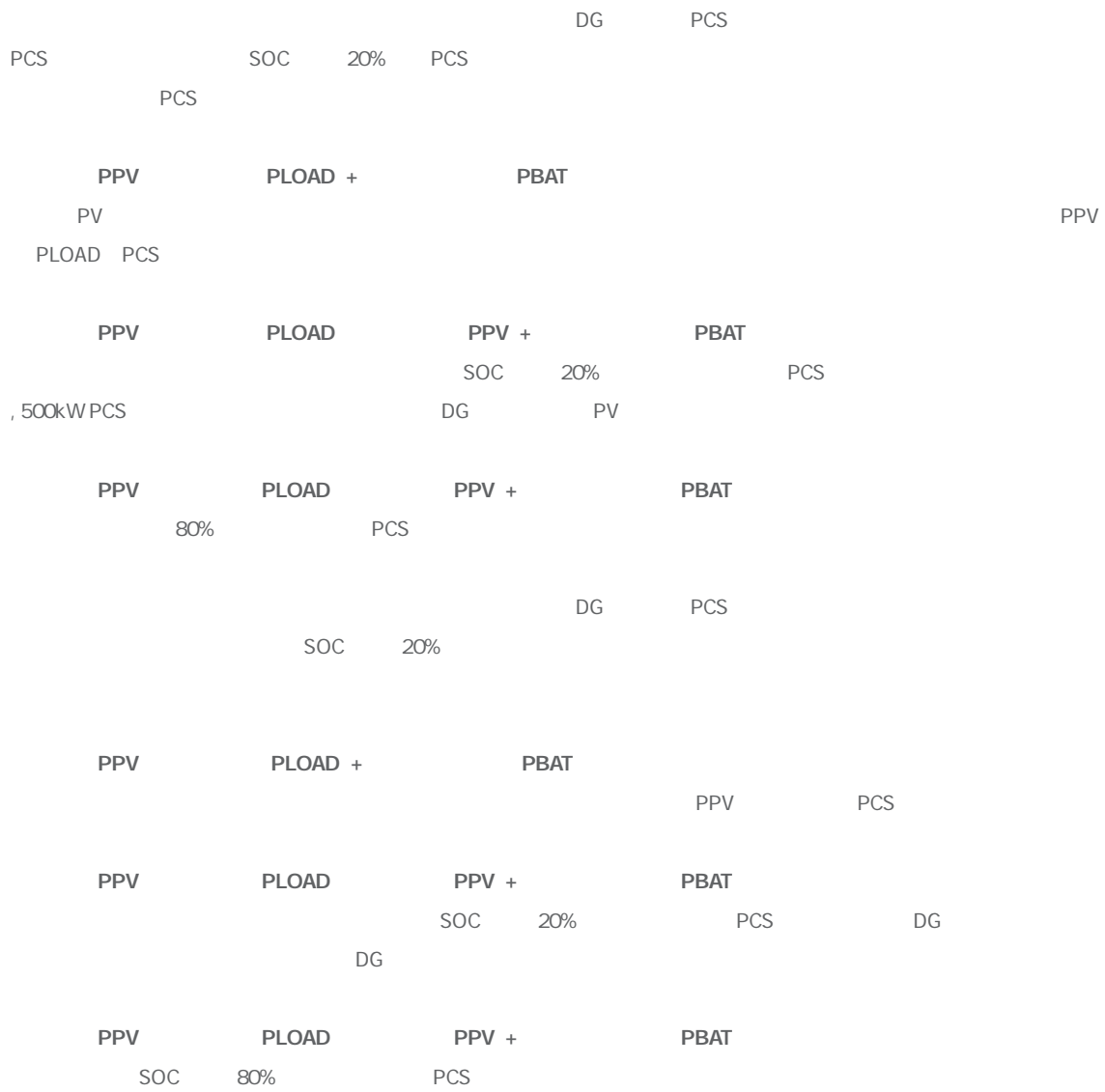
4. PCS

EMS

EMS  
 EMS  
 EMS  
 SOC  
 SOH  
 EMS



5. EMS



**BESS**



---

**SCU**

FSS                      Site Control Unit, SCU                      5                      SunGiga  
SCU                      BMU                      BCU                      VPN

**EMS**

EMS                      0

Qj30\*<sup>o</sup>●<sup>o</sup>⊗



7.

\*



+86 400 860 8878